

Hallway

IP - concealed
 EAN 4007841 086435
 Article number 086435



max. 25 x 3 m



IP20



brightness



temperature



air humidity



2 - 12 m

5 years

manufacturer's warranty
steinel.de/garantie



CE

Function description

The cleverer hallway sensor knows more. Perfect radial detection up to 25 m – ideal for long corridors and hallways. Reach can be adjusted in both directions. Contemporary Control PRO II design. Featuring Bluetooth technology. Interfaces for COM1, COM2, DALI-2 APC, DALI-2 IPD, KNX, IP and BT IPD (Slave).

Technical specifications

Dimensions (L x W x H)	68 x 103 x 103 mm	Mounting height	2 – 4 m
With motion detector	Yes	Mounting height max.	4,00 m
Manufacturer's Warranty	5 years	Optimum mounting height	2,8 m
Settings via	Bluetooth, Bus	HF-system	5,8 GHz
With remote control	No	Detection	also through glass, wood and stud walls
Version	IP - concealed	Detection angle	Aisle, 360 °
PU1, EAN	4007841086435	Angle of aperture	160 °
Type	Presence detector	Sneak-by guard	Yes
Application, place	Indoors	Capability of masking out individual segments	No
Application, room	Indoors, corridor / aisle	Electronic scalability	Yes
Colour	white	Mechanical scalability	No
Colour, RAL	9003	Reach, radial	25 x 3 m (75 m ²)
Includes corner wall mount	No	Reach, tangential	25 x 3 m (75 m ²)
Installation site	ceiling	Transmitter power	< 1 mW
Installation	Concealed wiring, Ceiling	Twilight setting	2 – 2000 lx
IP-rating	IP20	Basic light level function	No
Ambient temperature	from -20 up to 50 °C		

Hallway

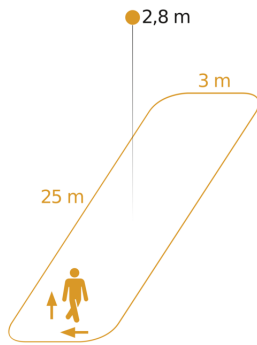
IP - concealed
 EAN 4007841 086435
 Article number 086435

Technical specifications

Material	Plastic
Mains power supply	18 – 55 V
Power supply, detail	Passive PoE SELV, standard PoE (IEEE 802.3 af)
With bus coupling	Yes
Technology, sensors	High frequency, Light sensor, Temperature, Air humidity

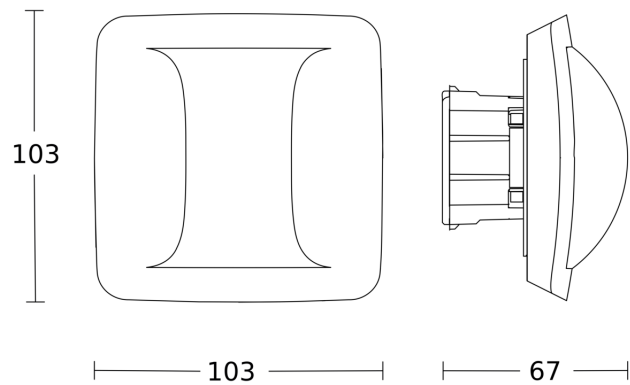
Main light adjustable	No
Twilight setting TEACH	Yes
Constant-lighting control	No
Interconnection	Yes
Interconnection via	Bluetooth Mesh
Product category	Presence detector

Detection Zone



Possible mounting height: 2,00 m – 4,00 m
 Orange: radial and tangential

Dimension Drawing



Circuit diagram

